

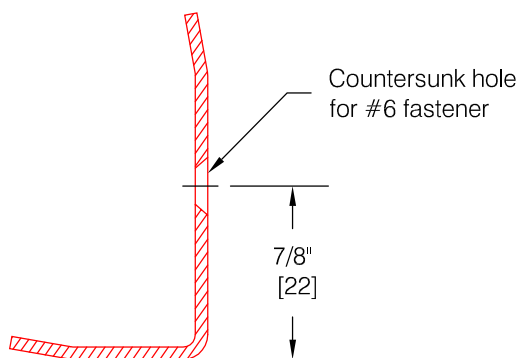
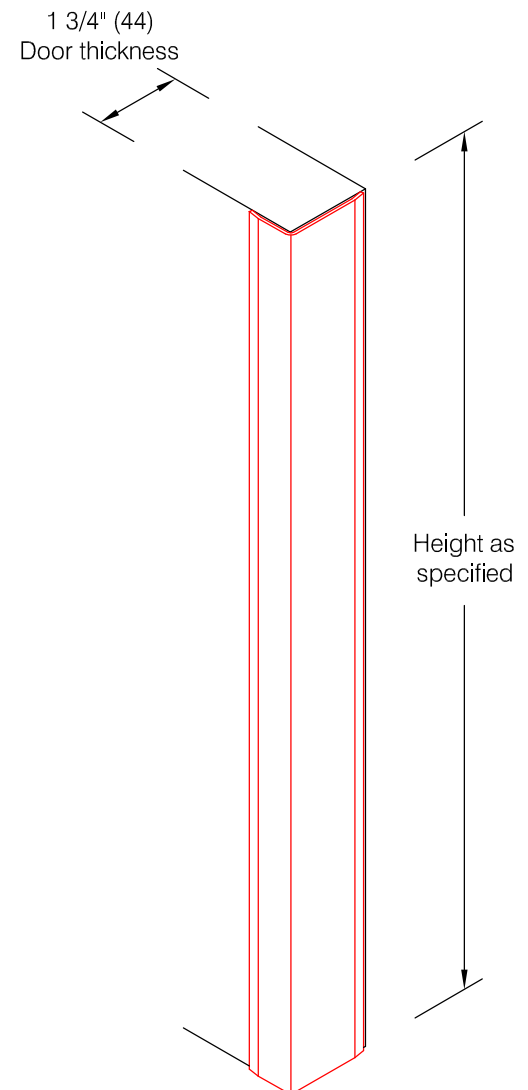
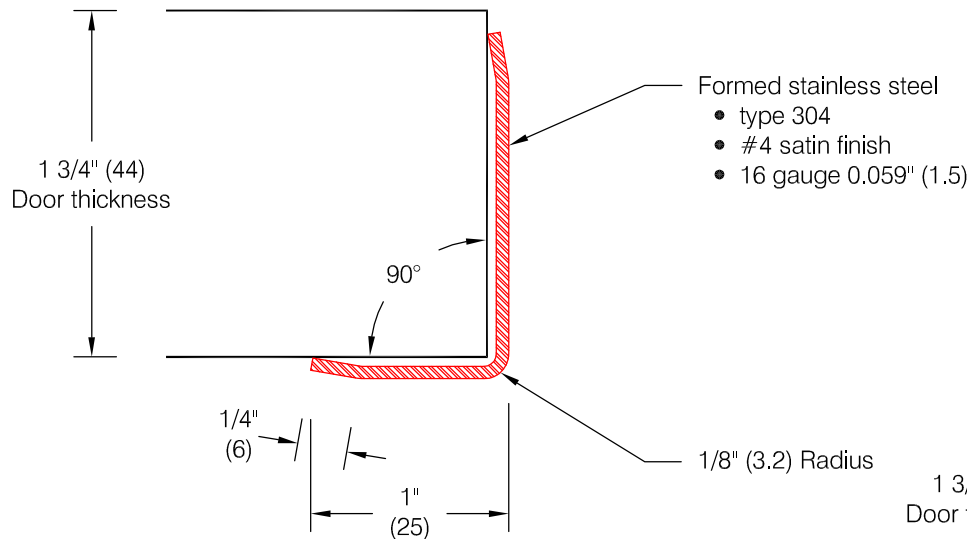
New Frontier Series 2455 - Single 90°

Features:

- Custom lengths, angles, and wing sizes are available
- Type 304 stainless

Mounting Options:

- Standard mounting
Adhesive:
Adhesive supplied separately
- Optional mounting
Drilled:
Countersunk holes for #6 x 3/4" (19) oval head sheet metal screw supplied separately as required



Optional Drilling:

- Standard spacing: 3" (76) from each end and spaced evenly not to exceed 36" (914) oc