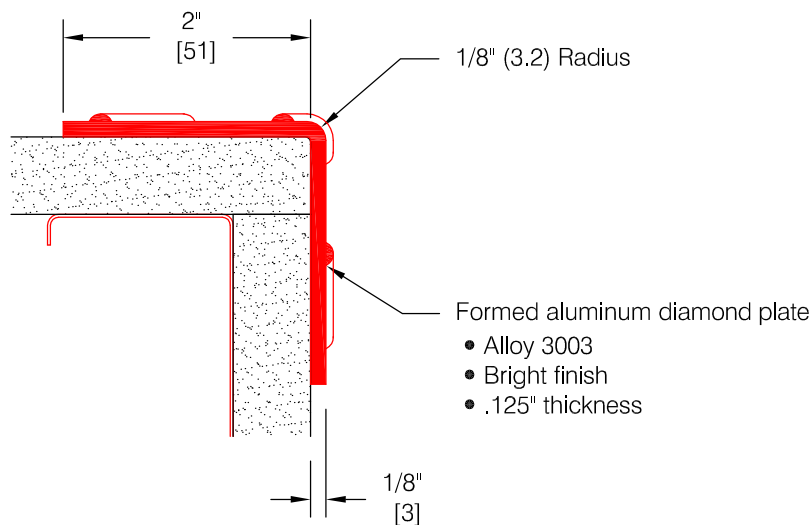


Defender Series 2341.1 - 2" x 90°



Features:

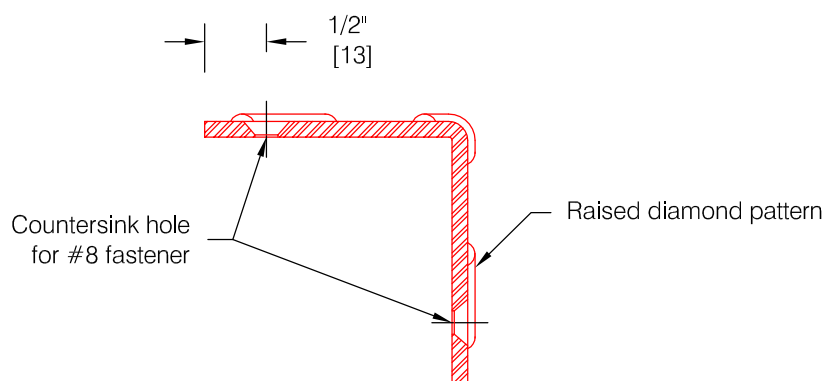
- Alloy 3003 Aluminum diamond plate
- Custom lengths, angles, and wing sizes are available
- Available for 135° corners (see WGDC.2341.4)
- Stock lengths: 4'-0" (1219) & 8'-0" (2438)

Finishes:

- Bright Finish

Mounting Options:

- Standard mounting
Adhesive:
Adhesive supplied separately
- Optional mounting
Drilled:
Countersink holes for #8 fastener
ABSS-113 #8 x 1 1/2" (38) oval head
sheet metal screw or equivalent



Optional Drilling:

- Standard spacing: 3" (76) from each end and spaced evenly not to exceed 36" (914) oc

