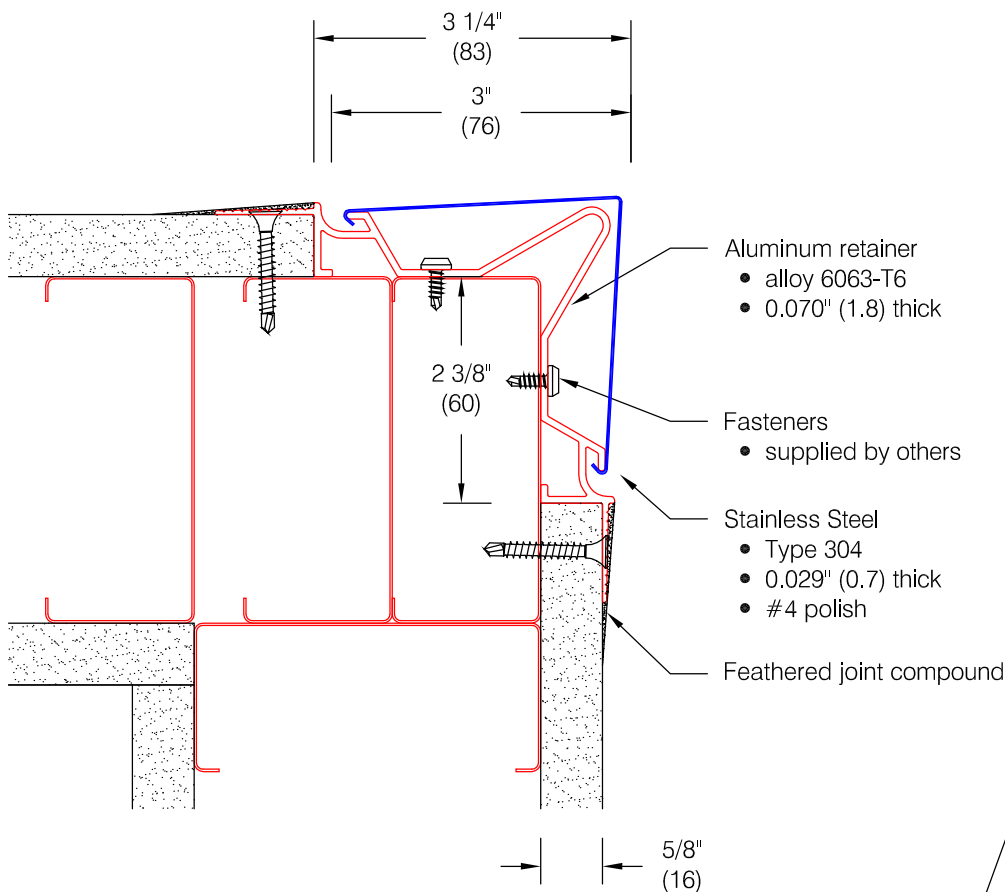


# Defender Series 2330C - 3"



Aluminum retainer  
 • alloy 6063-T6  
 • 0.070" (1.8) thick

Fasteners  
 • supplied by others

Stainless Steel  
 • Type 304  
 • 0.029" (0.7) thick  
 • #4 polish

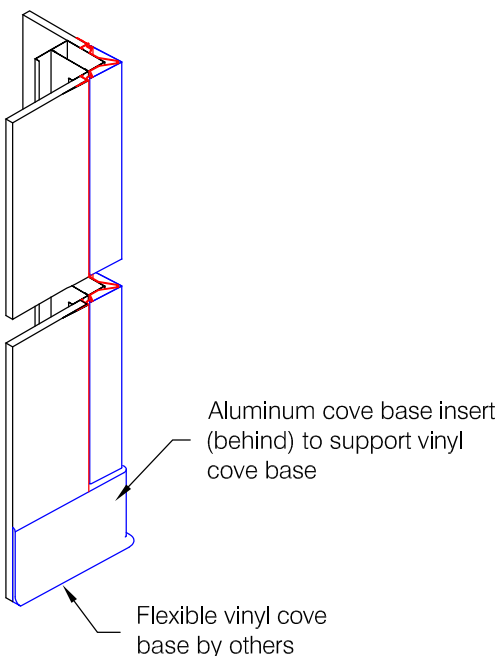
Feathered joint compound

### Features:

- Class A fire rating
- "Drop-in" installation follows completion of drywall mounting
- Stock lengths: 8'-0" (2438), 9'-0" (2743), 10'-0" (3048), and 12'-0" (3658)
- Custom cut lengths available
- Available with aluminum cove base insert for use with vinyl cove base standard in 4" (102) and 6" (152) heights

### Finishes:

- Stainless Steel
- Type 304
  - 24 gauge (.029")
  - #4 polish
- Aluminum retainer
- Mill finish aluminum



Optional Cove Base Insert

