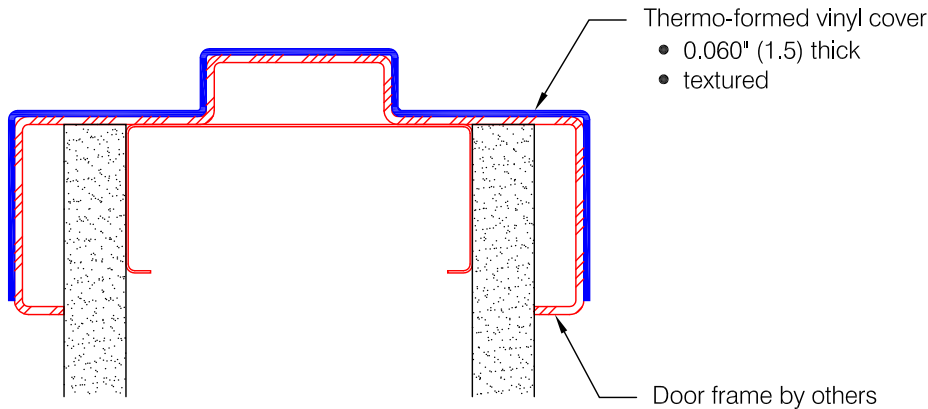


# New Frontier Series 2405



**Features:**

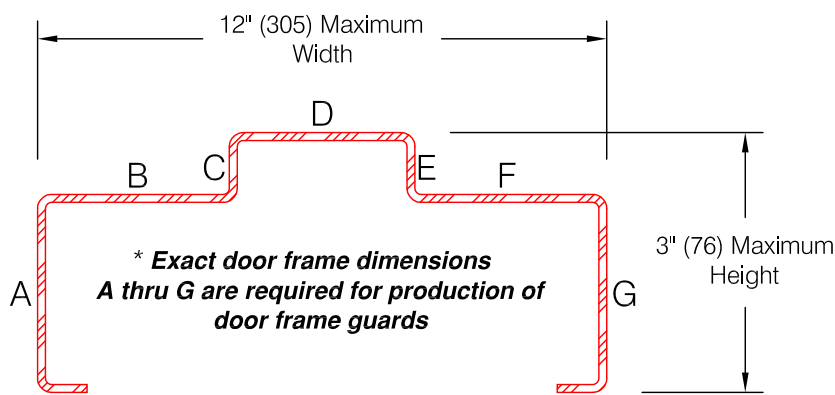
- Class A fire rating
- NFPA-252 (UL10b) approved for use on 90 minute wood and 180 minute steel fire rated door assemblies
- Optional hospital stops available

**Finishes:**

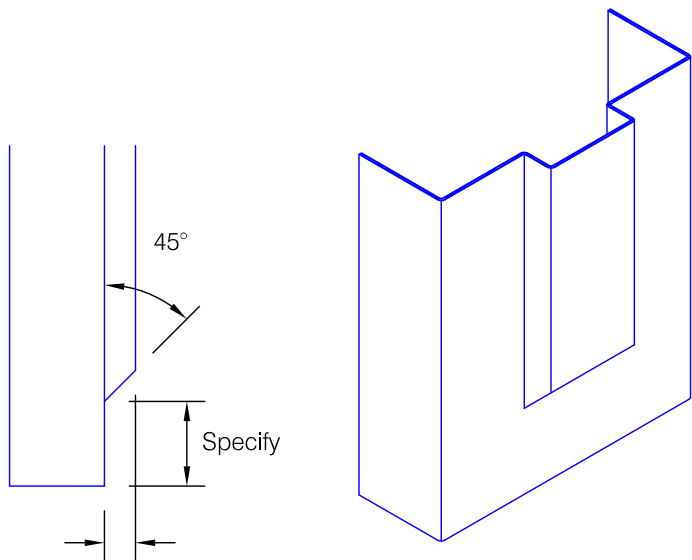
- Manufacturer's standard colors
- Custom colors available

**Mounting Options:**

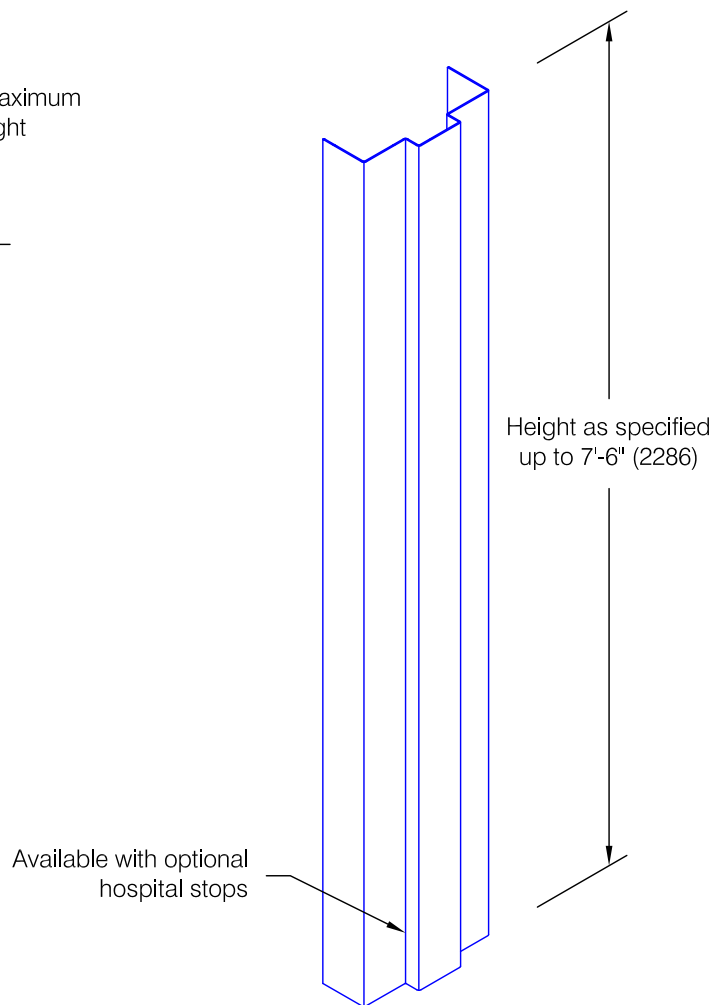
- Adhesive supplied separately



Frame Dimensioning Detail



Specify *Optional Hospital Stop*



**\*Maximum Length: 7'-5" (2261)**