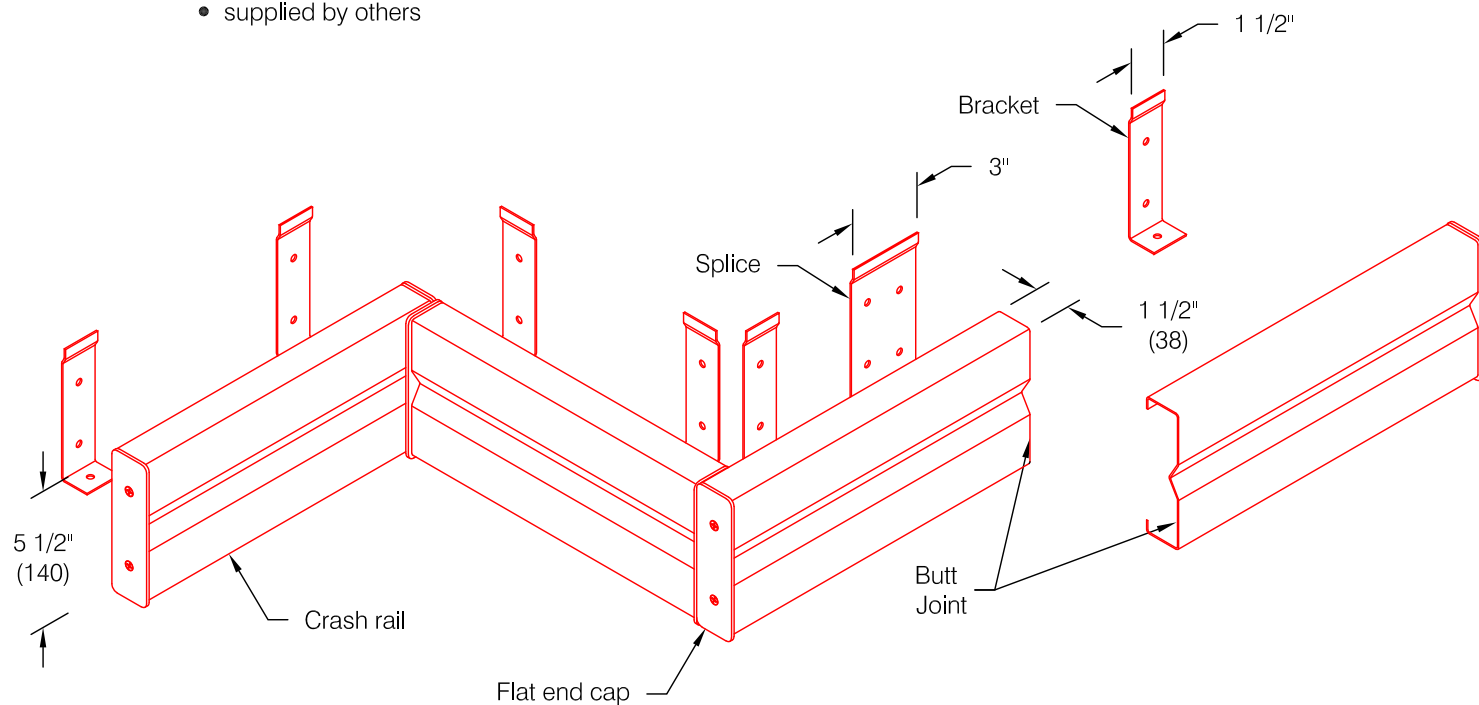
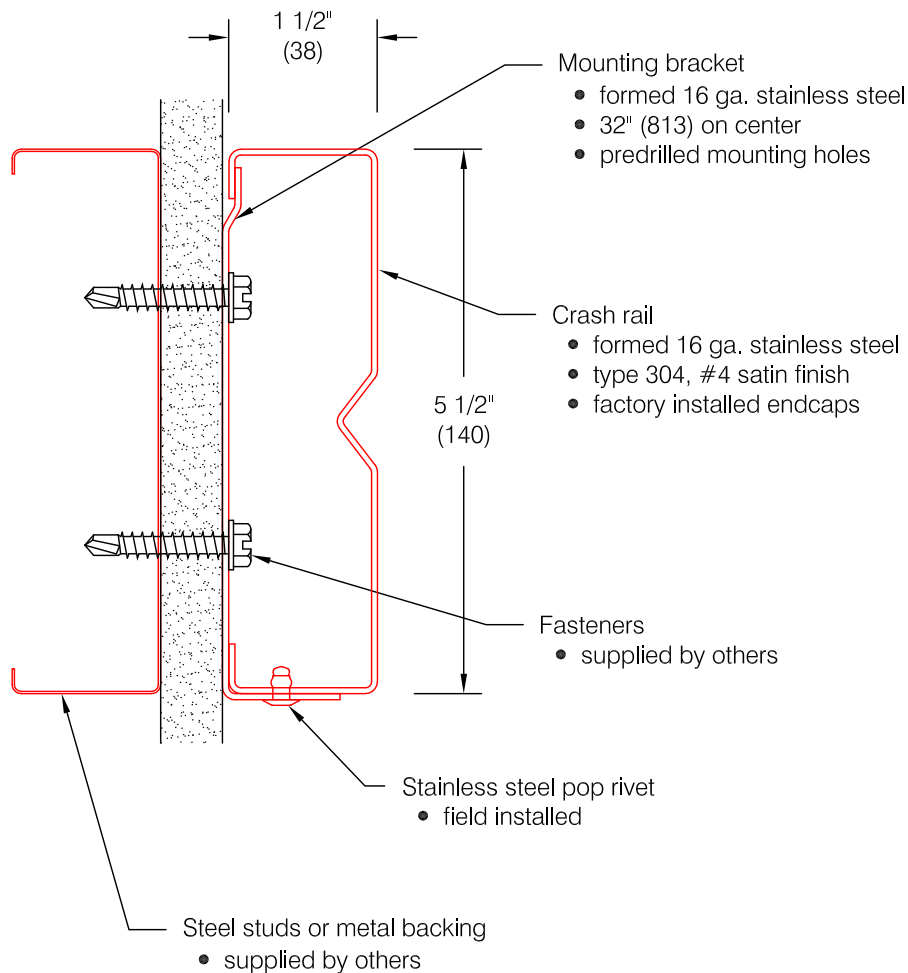


Protector Series 2182

Features:

- Prefabricated to fit field measured conditions
- Factory installed end caps
- Available to 10'-0" without a splice
- Inside and outside corners are not available
all runs terminate with end caps at corners



WallGuard.Com reserves the right to discontinue a design or modify an existing design without prior notice