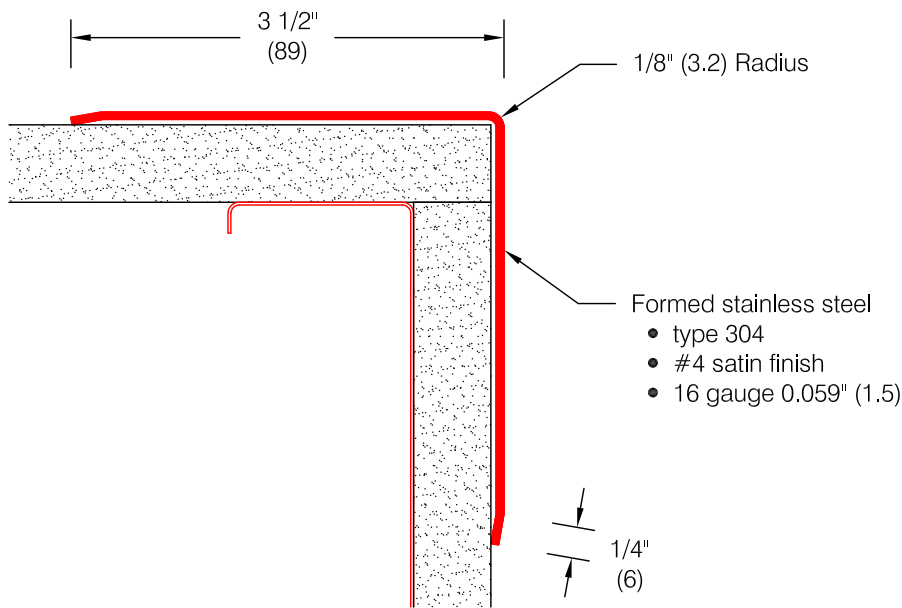


Defender Series 2330 - 3 1/2"

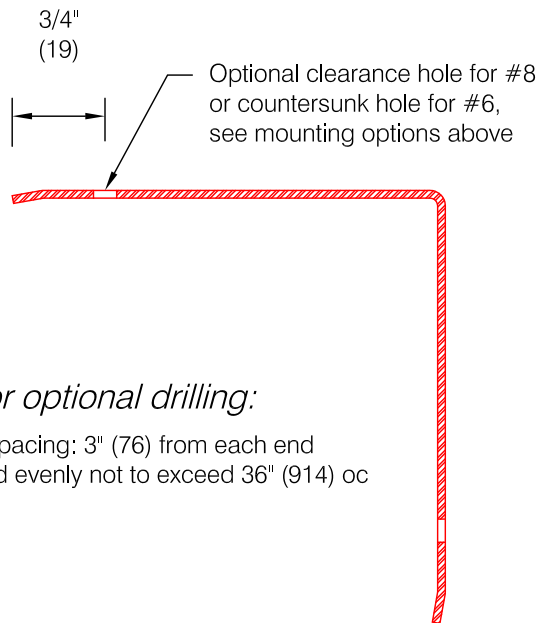


Features:

- Custom lengths, angles, and wing sizes are available
- Available for 135° corners
- Available with 3/4" (19) radius
- Type 304 stainless
- Stock lengths: 4'-0" (1219) & 8'-0" (2438)

Mounting Options:

- Standard mounting Adhesive: Construction adhesive supplied separately
- Optional mounting Standard Drilling: Clearance holes for #8 fastener. ABSS-113, #8 x 1 1/2" (38) oval head sheet metal screw and ABCW-132 stainless cup washer supplied separately as required.
- Countersunk Drilling: Countersunk holes for #6 fastener. ABSS-134, #6 x 1 1/2" (38) oval head sheet metal screw supplied separately as required.



Spacing for optional drilling:

- Standard spacing: 3" (76) from each end and spaced evenly not to exceed 36" (914) oc

