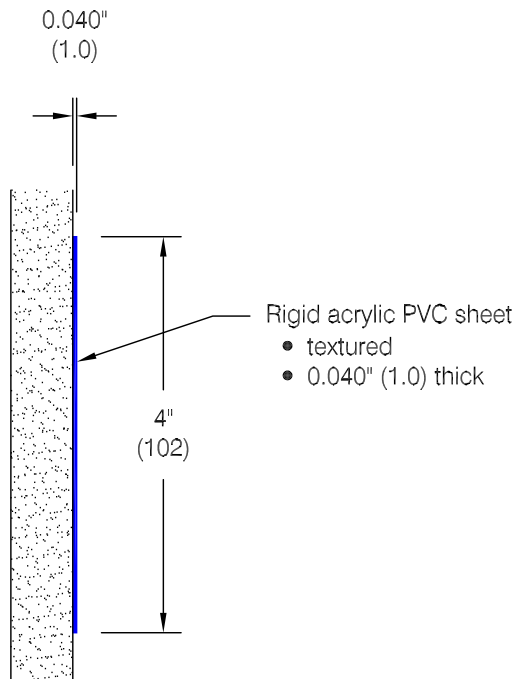


Protector Series 2404 - 4"



Features:

- Class A fire rating
- Heavier gauges available
- Stock length 8'-0" (2438)

Finishes:

- Manufacturer's standard colors
- Custom colors available

Mounting Options:

- Adhesive
 - Contact adhesive or Mastic adhesive supplied separately as required
- Drilled
 - Clearance holes for #8 x 1 1/4" (32) pan head sheet metal screw supplied separately as required
- Taped
 - Double sided adhesive tape factory applied to rub rail

