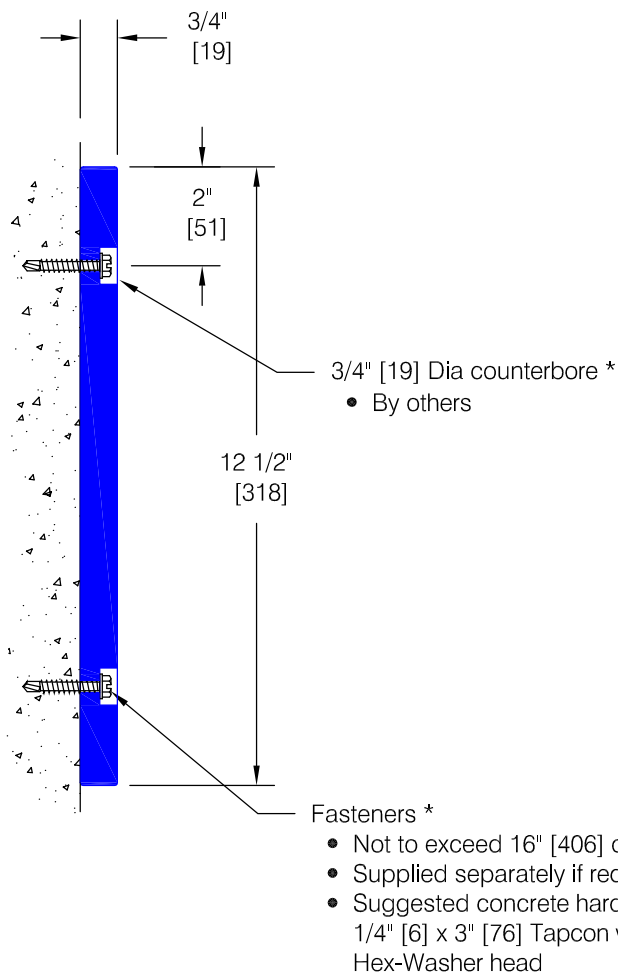


HDPE Series 3010.6



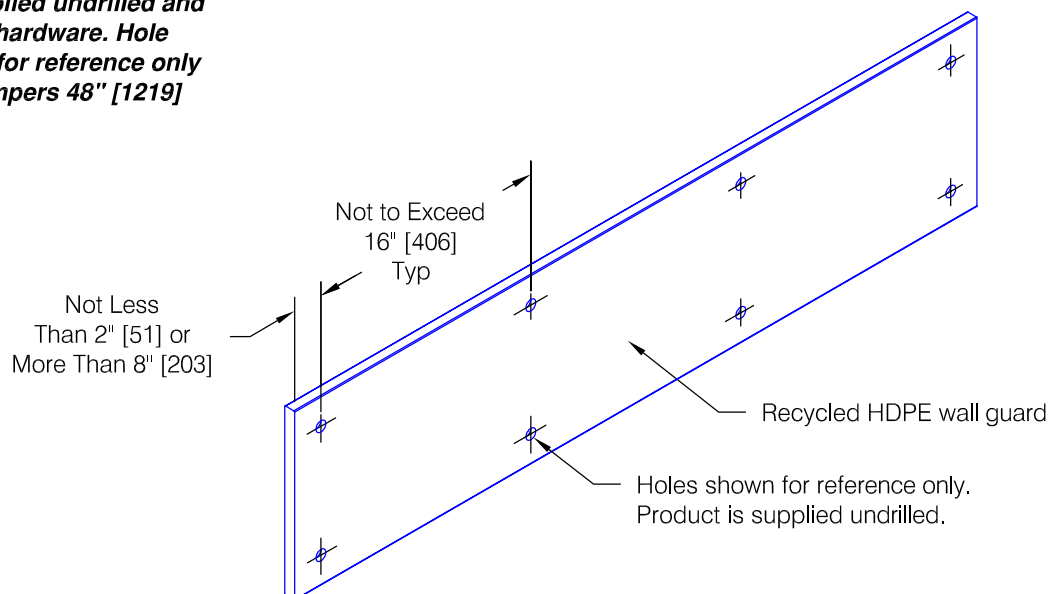
Features:

- Extruded 97% Post-Consumer HDPE
- Density: (ASTM D6111) .0216-.0275 lbs/cu-in
- Screw Withdrawal: (ASTM D6117 7) 90 lbs (#10 x 1 1/2")
- Water Absorption, 11 weeks: (ASTM D570) less than 0.1%
- Coefficient of Linear Expansion: (ASTM D6341) .000064 in/in/°F
- Stock length: 12'-0" [3658]

Standard Color:

- Manufacturer's standard colors
- UV Inhibited pigments

*** Wall Guard is supplied undrilled and with no mounting hardware. Hole spacing shown is for reference only and applies to bumpers 48" [1219] and longer.**



WallGuard.Com reserves the right to discontinue a design or modify an existing design without prior notice