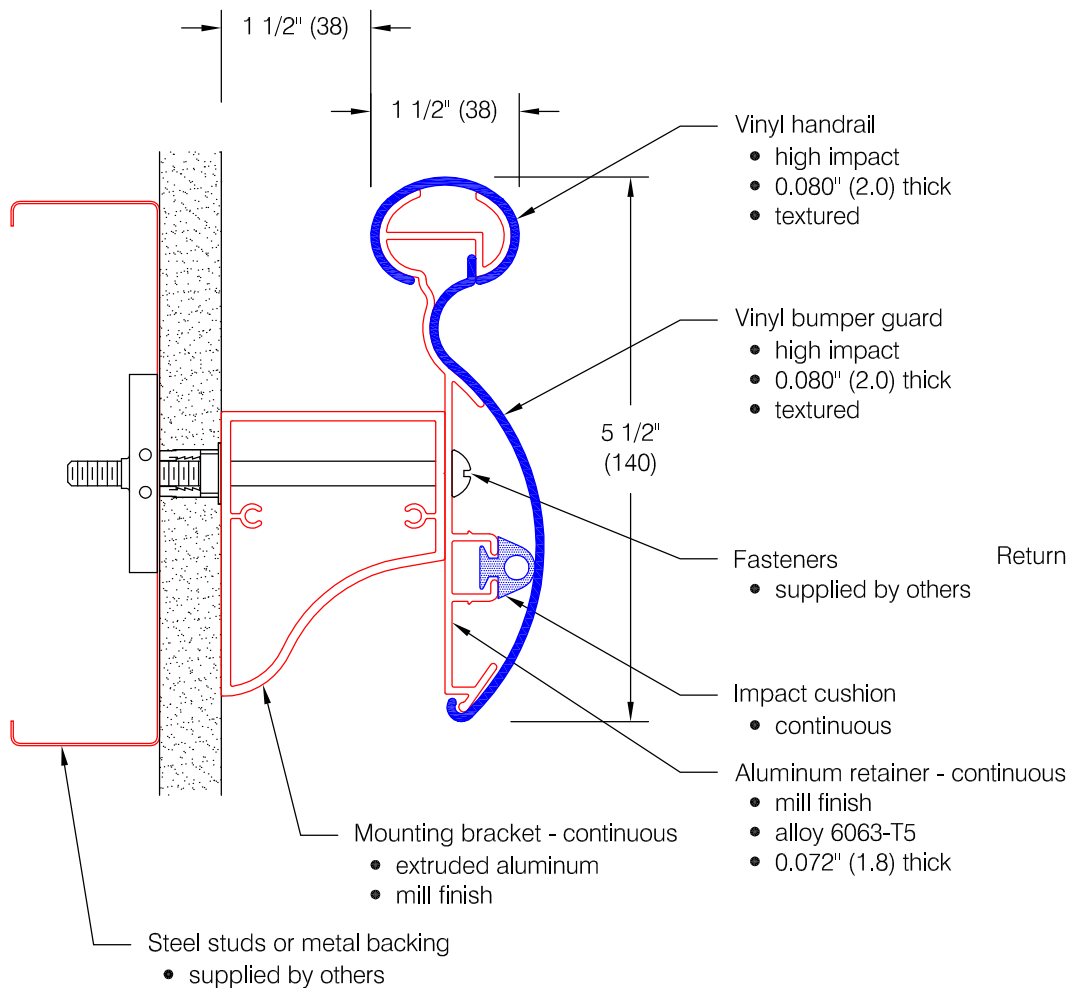


Infinity Series 2032S

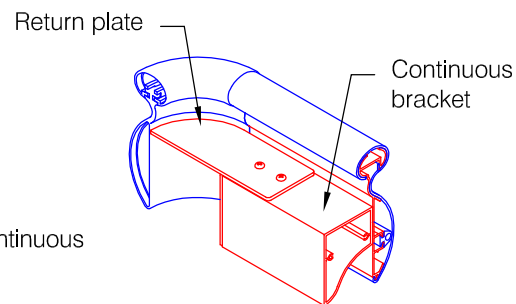


Features:

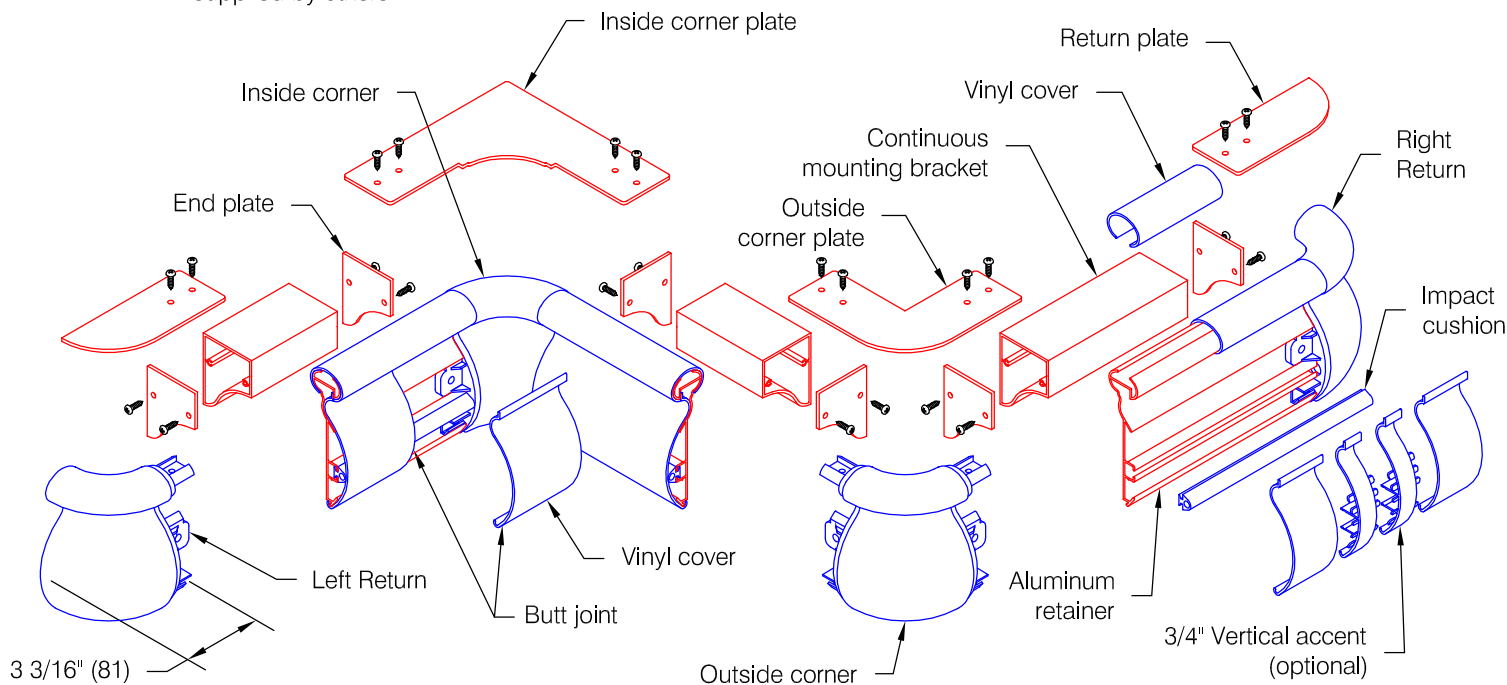
- Class A fire rating
- Molded returns - with hardware
- Molded outside corners - with hardware
- Molded inside corners - with hardware
- Stock length - 12'-0" (3658)

Finishes:

- Manufacturer's standard colors
- Custom colors available
- Molded vertical accents available



Rear View of Wall Return Assembly



WallGuard.Com reserves the right to discontinue a design or modify an existing design without prior notice