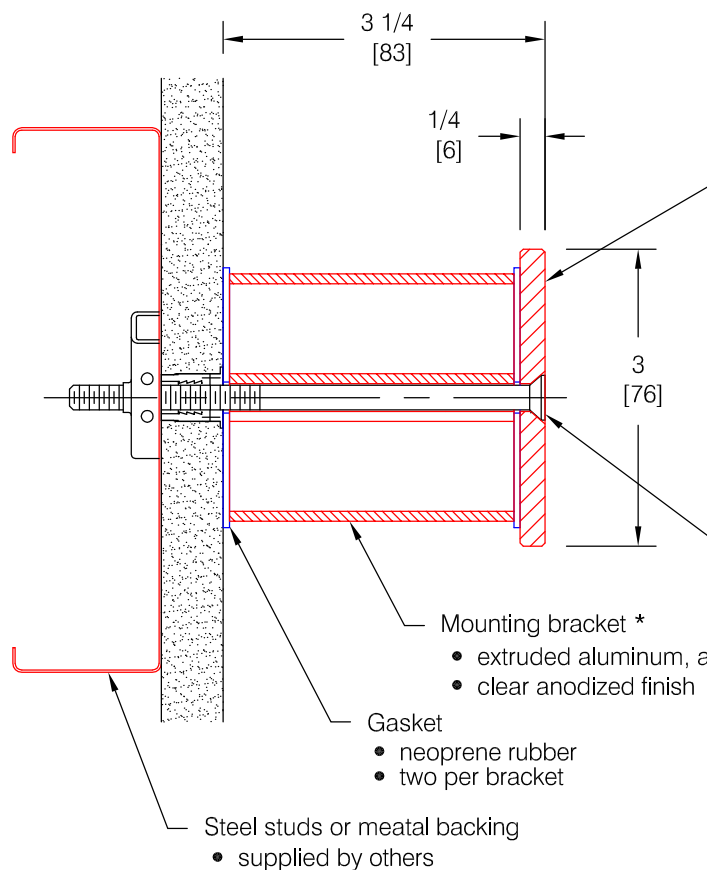


Protector Series 2181C.3

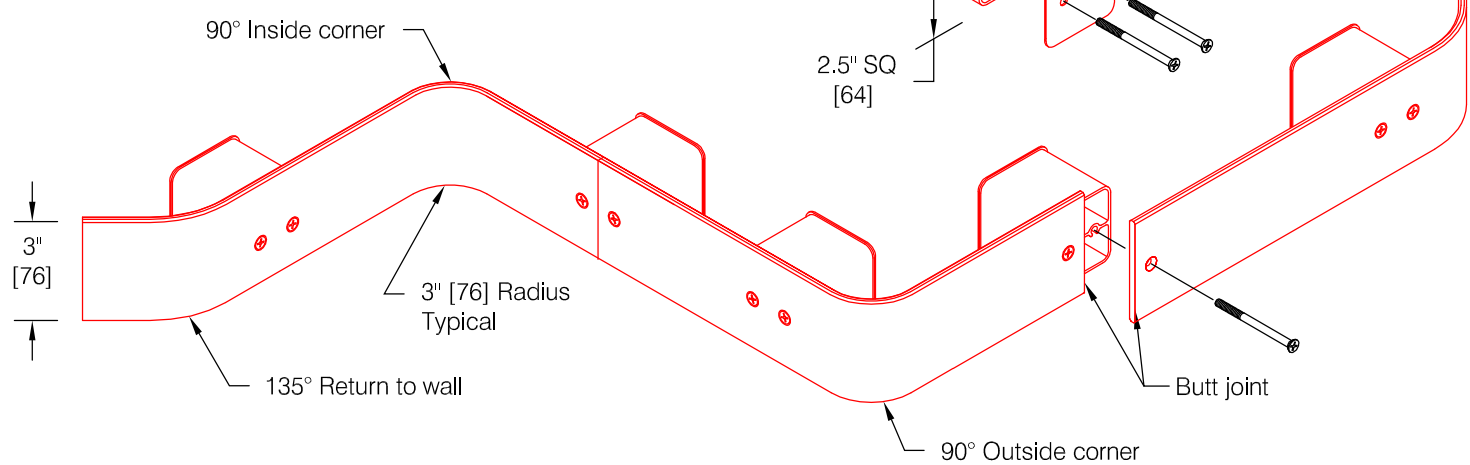
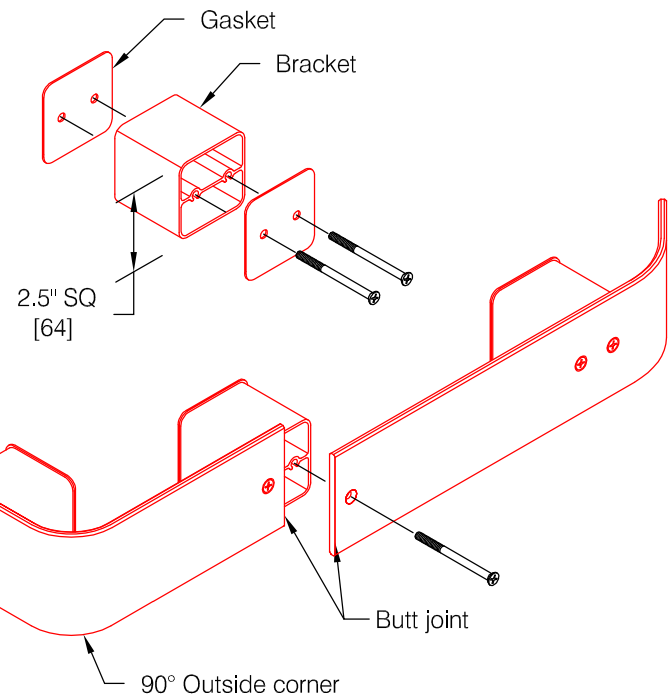
Features:

- Prefabricated to field verified measurements
- Factory formed 3" radius wall returns and corners
- 12'-0" maximum length without butt-joints
- Corners factory formed to accommodate angles other than 90°
- Bracket standoff 3" standard (as shown) custom standoffs are available



- Crash rail
 - stainless steel, type 304
 - #4 satin finish
 - chamfered edges
 - predrilled and countersunk for bracket hardware
- Wall mount fasteners
 - stainless steel machine screw, 1/4-20 x 5", flat head
 - supplied by others

* Nominal bracket spacing 32" on center. Actual bracket spacing will vary according to jobsite conditions. Maximum spacing not to exceed 48" (1219).



WallGuard.Com reserves the right to discontinue a design or modify an existing design without prior notice