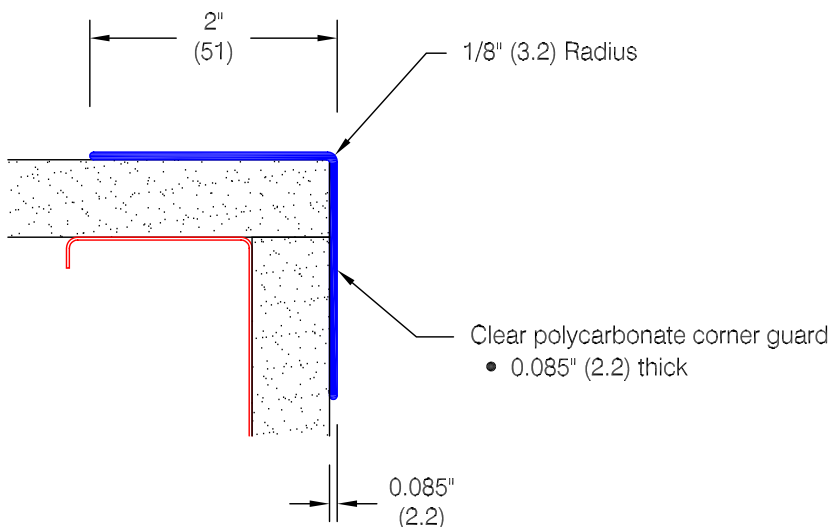


Defender Series 2335 - 2"



Features:

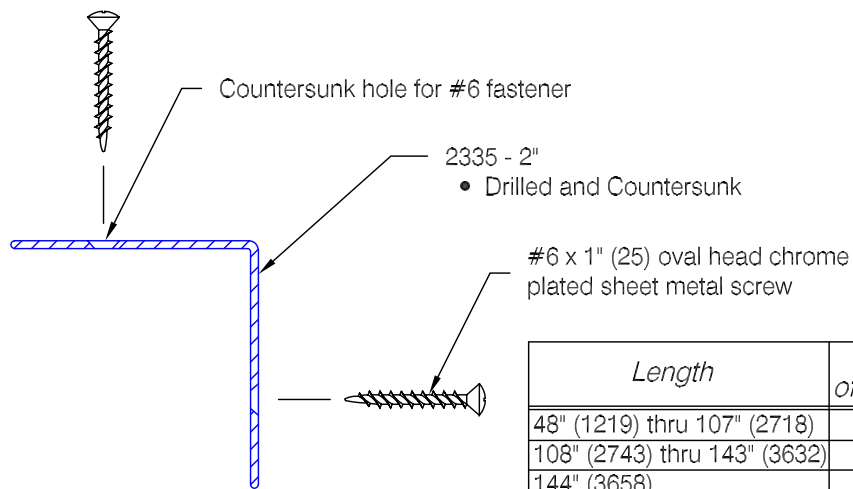
- Extruded Polycarbonate
- U/L 94 Flammability:
 - V-2 @ 0.125
 - V-2 @ 0.0625
 - V-0 @ 0.2500
- Stock lengths 4'-0" (1219) and 8'-0" (2438)
- Custom lengths available
- Mechanical fasteners

Finishes:

- Clear smooth finish
- Manufacturer's standard colors (optional)

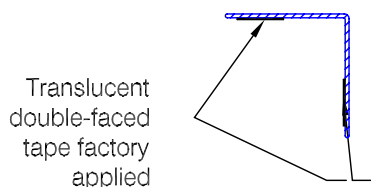
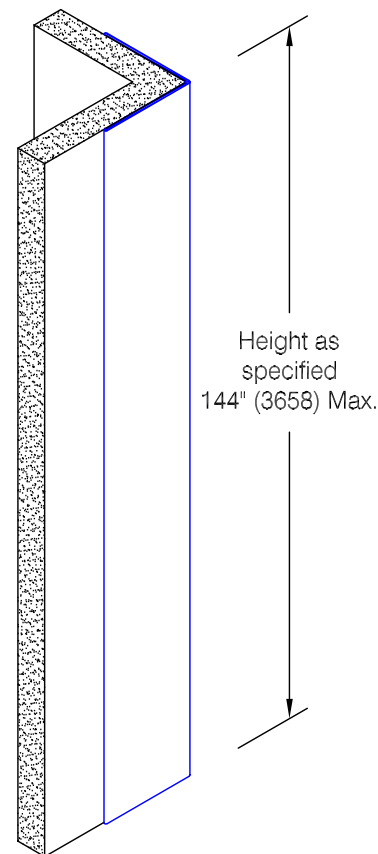
Mounting Options:

- Double-faced tape
- Undrilled (fastening method by others)

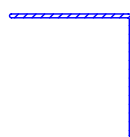


| Length | Total # of Screws |
|------------------------------|-------------------|
| 48" (1219) thru 107" (2718) | 6 |
| 108" (2743) thru 143" (3632) | 8 |
| 144" (3658) | 10 |

Standard Screw Mounted



Optional Tape Mounted



Optional Undrilled