

Defender Series 2335 - 2 1/2"

Features:

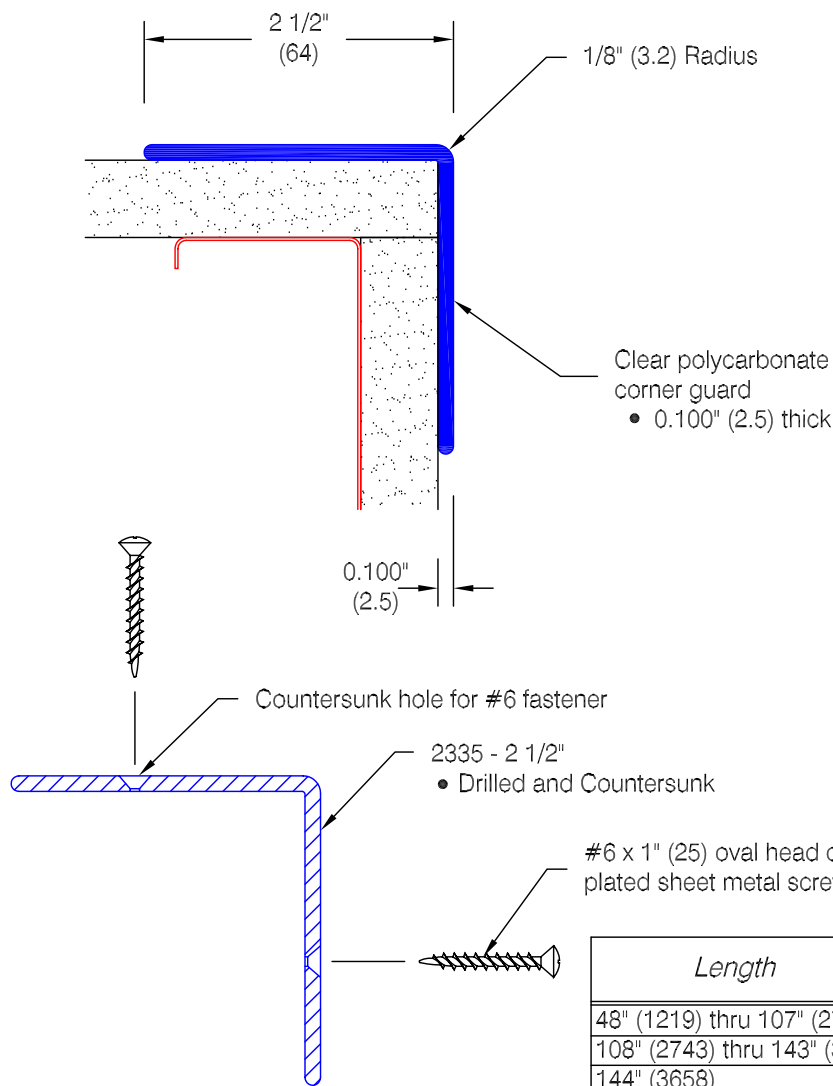
- Extruded Polycarbonate
- U/L 94 Flammability:
 - V-2 @ 0.125
 - V-2 @ 0.0625
 - V-0 @ 0.2500
- Stock lengths 4'-0" (1219) and 8'-0" (2438)
- Custom lengths available
- Mechanical fasteners

Finishes:

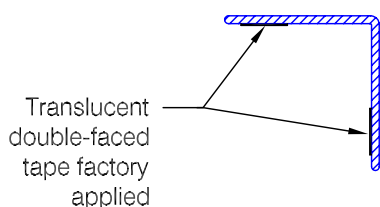
- Clear smooth finish
- Manufacturer's standard colors (optional)

Mounting Options:

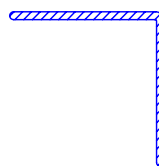
- Double-faced tape
- Undrilled (fastening method by others)



Standard Screw Mounted



Optional Tape Mounted



Optional Undrilled

