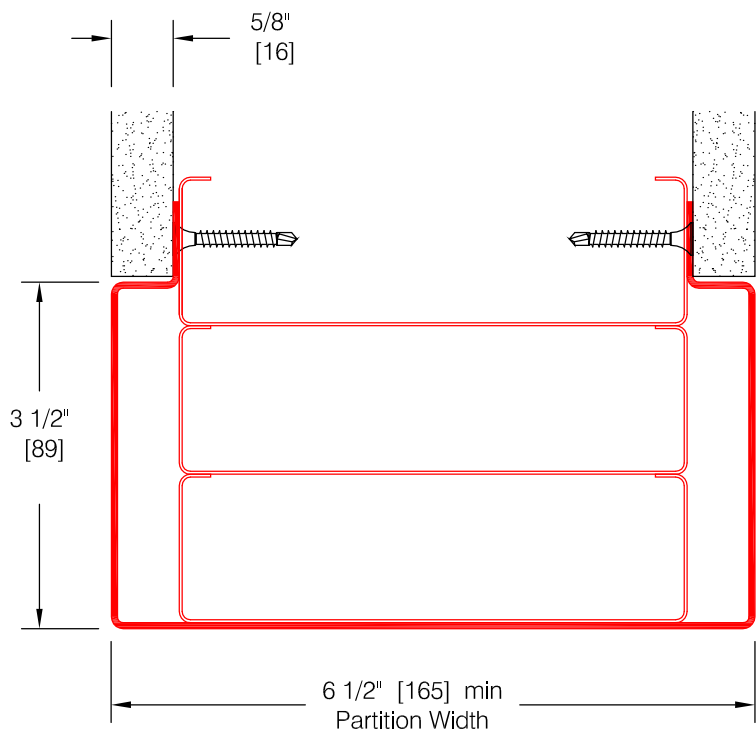


Defender Series 2331B Endwall



Features:

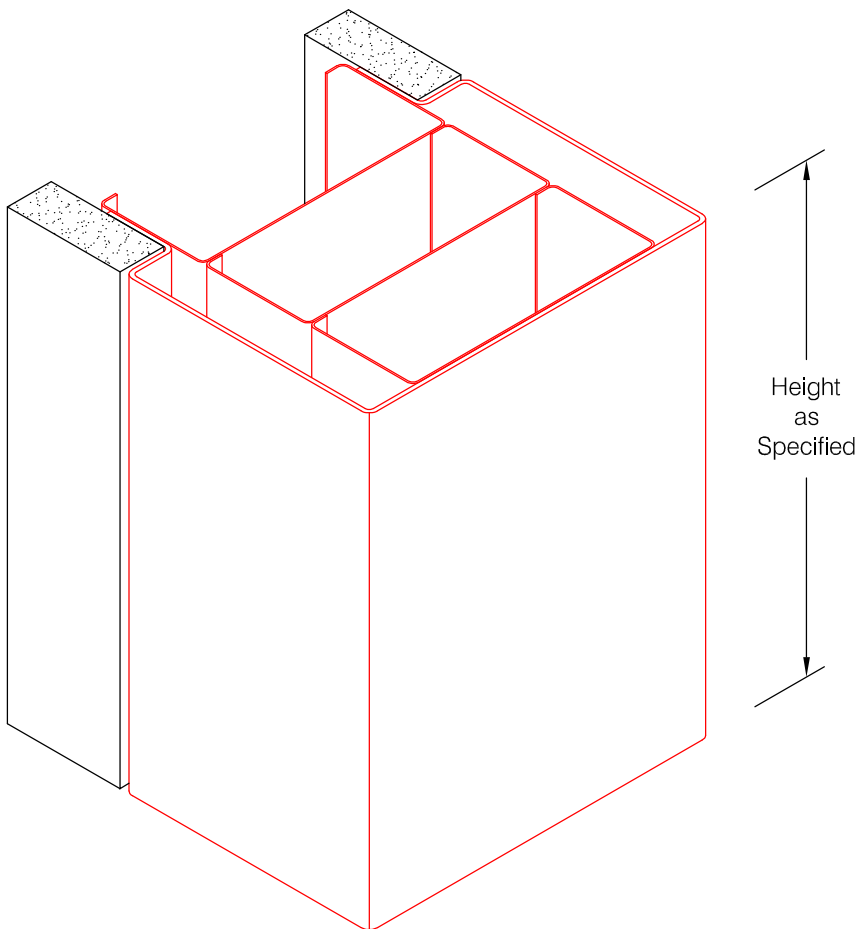
- Stock lengths: 4'-0" (1219) & 8'-0" (2438)
- Type 304 stainless
- Custom lengths, partition widths and wing sizes are available

Mounting Options:

- Standard mounting
Drilled:
Clearance holes for #8 fastener
- Optional mounting
Adhesive:
ADH-50 adhesive supplied separately

Formed stainless steel

- type 304
- #4 satin finish
- 16 gauge 0.059" (1.5)



WallGuard.Com reserves the right to discontinue a design or modify an existing design without prior notice