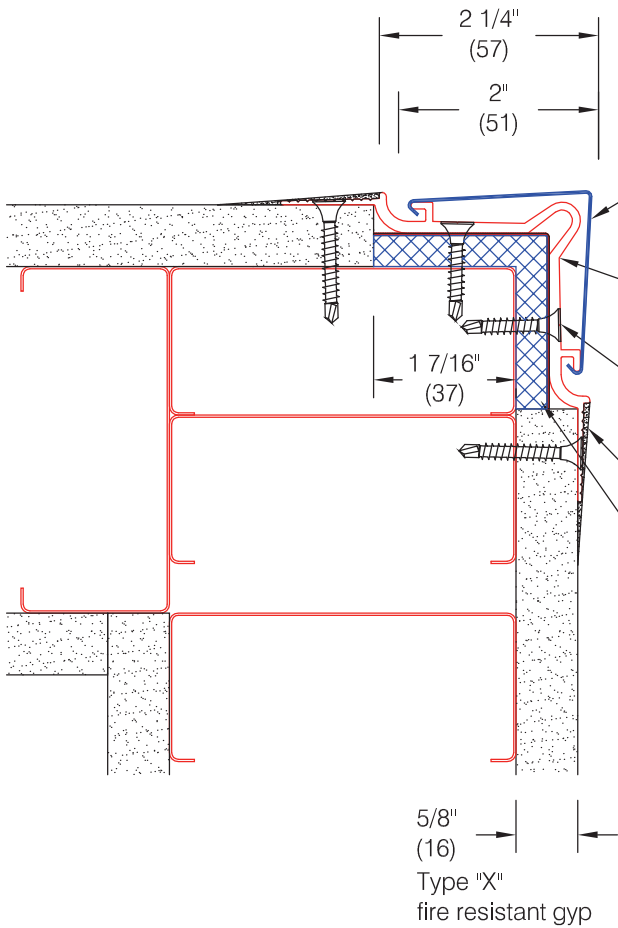


2330 C.1 Corner Guard 1 Hour Fire Rated



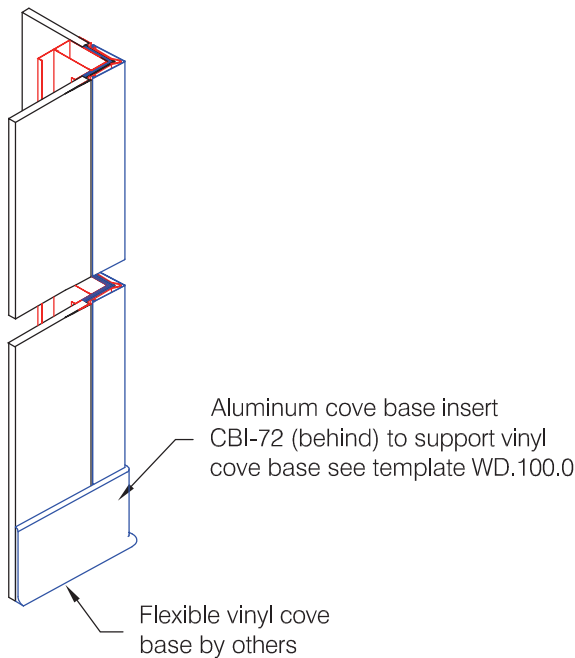
- Stainless Steel
 - Type 304
 - 0.029" (0.7) thick
 - #4 polish
- Aluminum retainer
 - alloy 6063-T6
- Fasteners
 - supplied by others
- Feathered joint compound
- 1 hour fire barrier assembly
 - factory attached to retainer
 - fire resistive insulation with 24 ga. galvanized steel backing

Features:

- Class A fire rating
- "Drop-in" installation follows completion of drywall mounting
- Stock lengths: 8'-0" (2438), 9'-0" (2743), 10'-0" (3048), and 12'-0" (3658)
- Custom cut lengths available
- Available with aluminum cove base insert for use with vinyl cove base standard in 4" (102) and 6" (152) heights

Finishes:

- Stainless Steel
 - Type 304
 - 24 gauge (.029")
 - #4 polish
- Aluminum retainer
 - Mill finish aluminum



Optional Cove Base Insert

